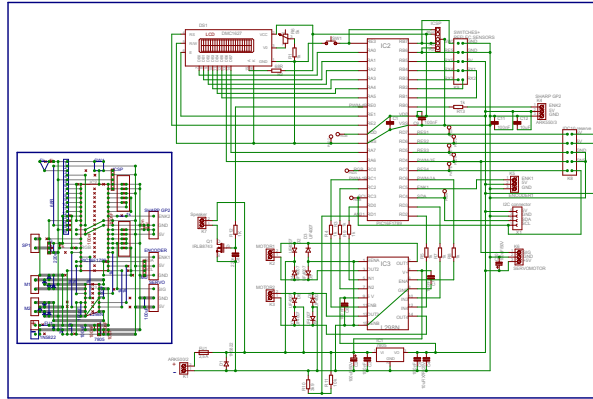
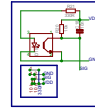


# Robot Béda 5 - functional and soldering schemes

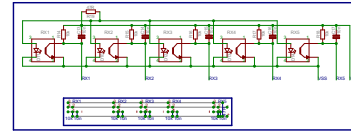
## Control board



## Encoder



## Reflective sensors



## Battery pack 4×Li-ion accu. 3.6 V/2.2 Ah

